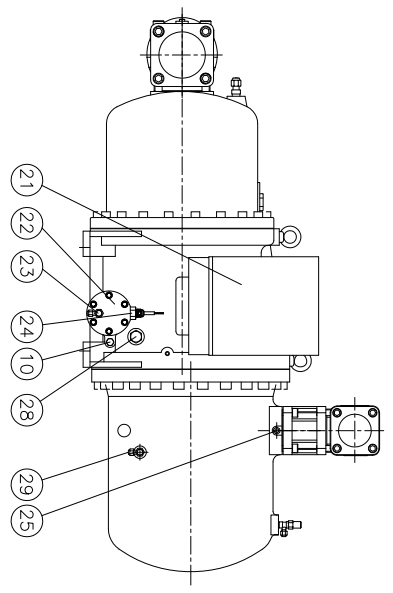
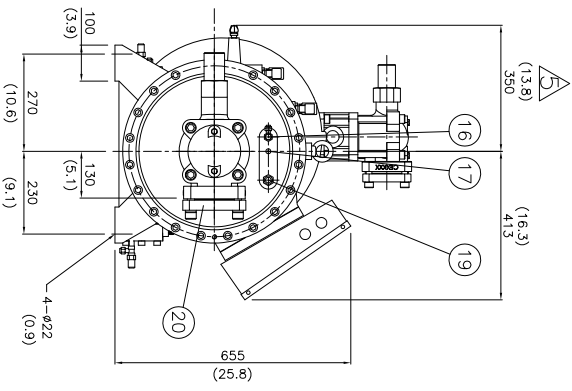
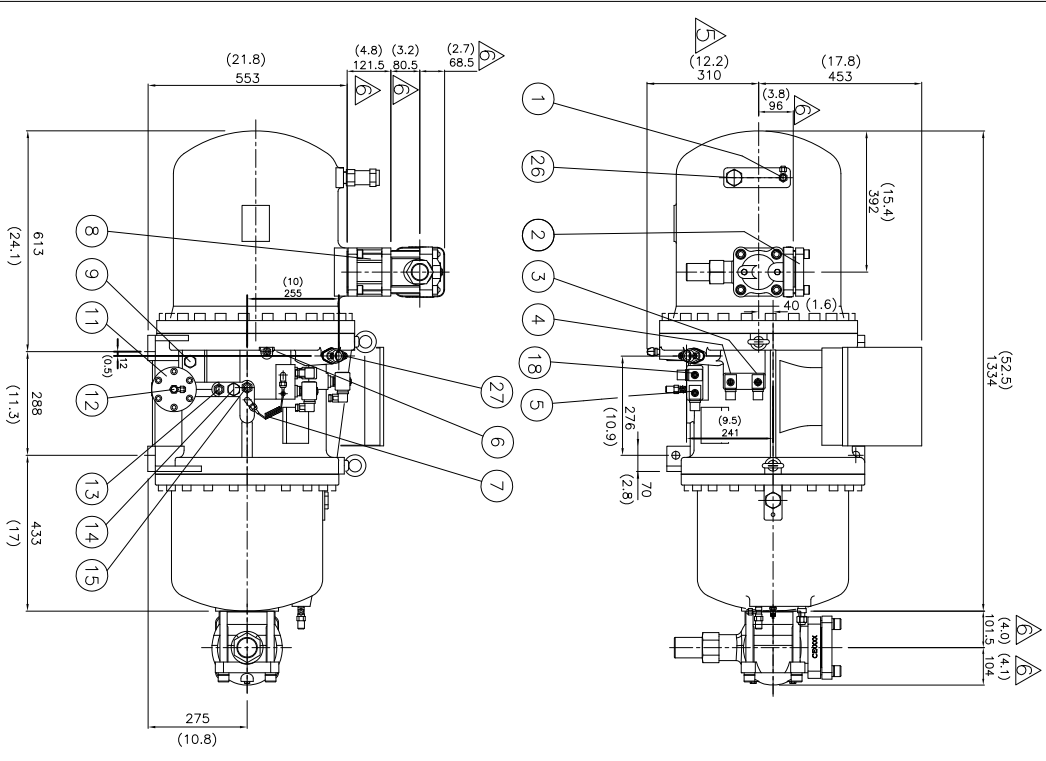


No.	Name	Note	No.	Name	Note
1	Angle valve	1/4"Flare	16	Angle valve	1/4"Flare
2	Discharge flange	2 1/2"	17	Refrigerant service valve	1/4"Flare
3	Solenoid valve	50%(NC)	18	Solenoid valve	Seismic w/ NO, option
4	Solenoid valve	75%(NC)	19	Liquid injection	5/8"Flare, option
5	Solenoid valve	25%(NC)	20	Suction flange	4"
6	Liquid or refrigerant injection connector	3/8"Flare, option	21	Cable box	Standard
7	Capillary		22	Service flange	
8	Check valve	2 1/2"	23	Oil drain valve	option
9	Oil sight glass	Low side	24	Oil level switch	option
10	Oil heater	150W/300W	25	Discharge Temp. sensor	110°C
11	Oil filter cartridge		26	Safety Valve	1"NPT,option
12	Oil pressure differential switch	Connector, option	27	Economizer port	7/8" solder
13	Oil connector(out)	5/8"Flare, option	28	Oil sight glass	High side
14	Stop pin	option	29	Over flow port	option
15	Oil connector(in)	5/8"Flare, option			

*All stop valves are optional



Item	Date	Modification	Model	Name	Ver.
6	2014.08.21	Dimension correction	RC2-410/430A&B	Compressor outline	06
5	2012.11.06	Dimension correction			
4	2012.04.16	Delete 1.Connector 2.Oil temp. sensor			

UNIT
Si: mm Imperial: (in)

Model: RC2-410/430A&B
 Name: Compressor outline
 HANBELL Ver. 06